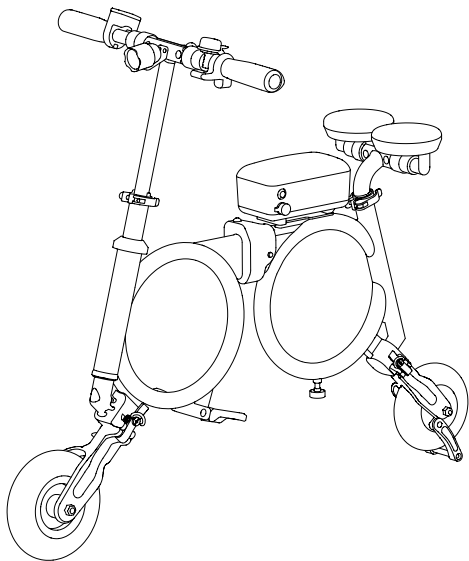
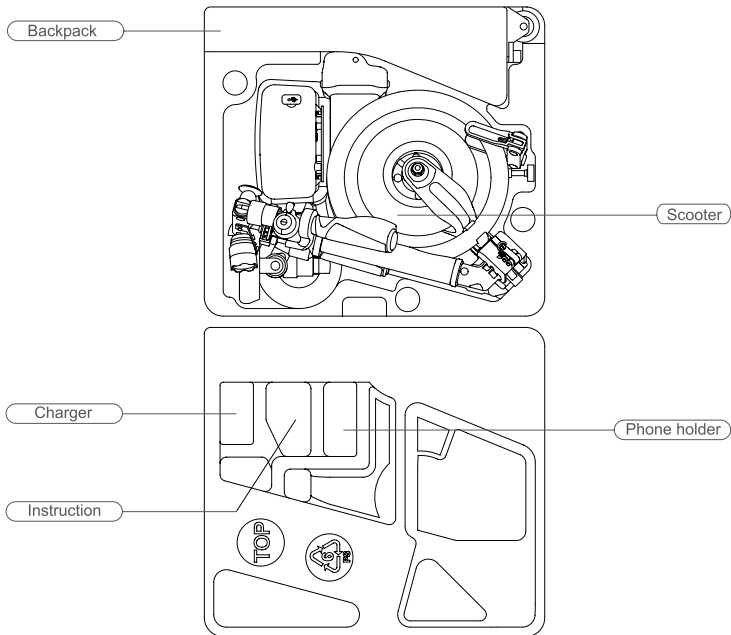


Airwheel E3

USER MANUAL



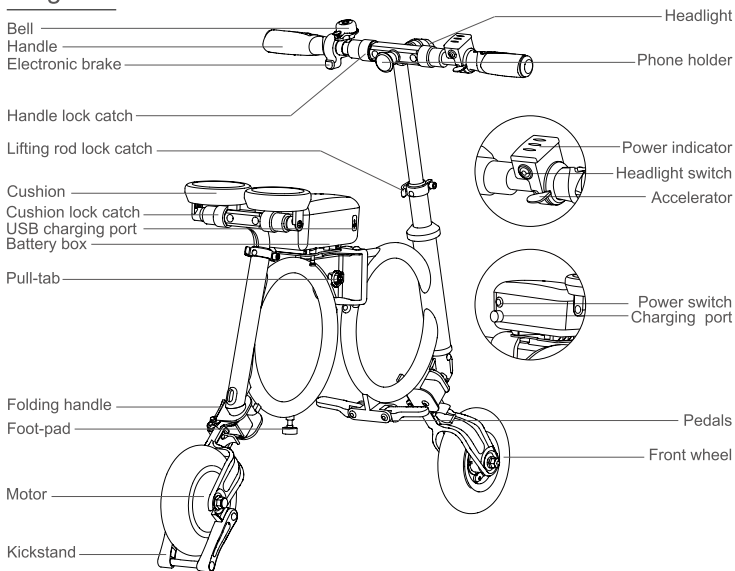
Check Packing Contents



Packing list

Scooter	1 pcs	Backpack (Optional accessories)	1 pcs
Charger	1 pcs	Instruction	1 unit
Phone holder	1 pcs		

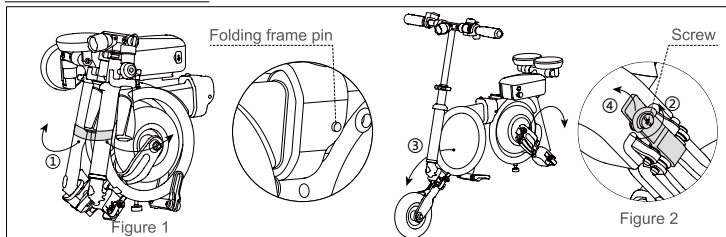
Diagram



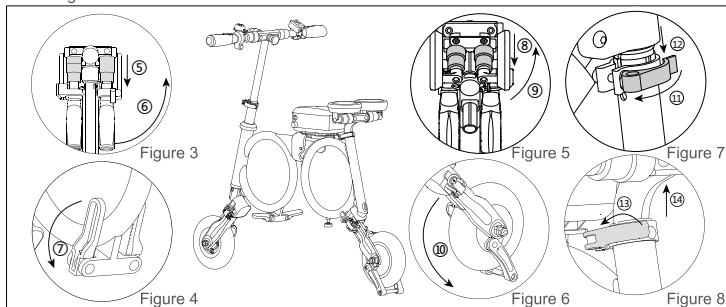
Specifications

Size	1060mm × 881mm × 575mm	Item weight	~12.5kg
Folding size	400mm × 353mm × 472mm	Maximum load	100kg
Tire size	8inch	Maximum speed	~20km/h
Charging voltage	AC220V 50-60Hz	Maximum Permissible Gradient	~15°
Charging time	~200min	Applicable temperature	-10°C~40°C
USB output voltage	5V	USB maximum current output	1.5A

Use the Scooter



- 1** Pick off the magic strap, unfold frame (see figure 1-① arrow) to ensure the folding frame's pin has aligned to the round hole; rotate the circular ring counterclockwise to loosen the folding handle (see figure 2- ② arrow). Pull the front wheel outward and rotate 180° (see ③ arrow), press folding handle (see figure 2- ④ arrow), fasten the front wheel and then loosen, rotate the screw clockwise to fasten folding handle. The same method to the rear wheel.



- 2** Unfold the arm-brace (see Figure 6-⑩ arrow). Set right E3's head. Pull down the lock catch on the handles (see Figure 3 - ⑤ arrow), unfold the two handles (see Figure 3 - ⑥ arrow), and then release lock catch to fasten handle. Unfold pedals (see Figure 4 - ⑦ arrow). Pull down the lock catch on the saddle (see Figure 5 - ⑧ arrow), unfold the saddle (see Figure 5 - ⑨ arrow), and then release lock catch to fasten saddle.
- 3** Adjusting the scooter and saddle height
 Adjusting the scooter height: open the lifting rod lock (see Figure 7-⑪ arrow), adjust the height in the arrow direction (see Figure 7-⑫ arrow). After adjustment is finished, close the lifting rod lock.
 Adjusting the saddle height: open the lifting rod lock (see Figure 8-⑬ arrow), adjust the height in the arrow direction (see Figure 8-⑭ arrow). After adjustment is finished, close the lifting rod lock.

Get Started

Set the E3's head right, fold the arm-brace, fasten the scooter frame and adjust the scooter head and cushion position to ensure a comfortable riding experience. On the side of battery housing, find switching power and open, then hold the handle, step on the pedal one foot by one foot, right down to move accelerator to accelerate, and riders can ride it.

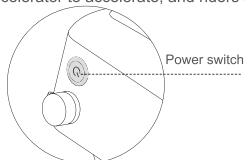



Figure 9

Open the power switch . Starting is completed.

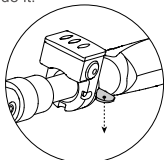


Figure 10

Pull down the accelerator to speed up and ride.

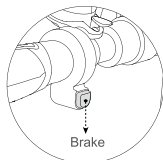
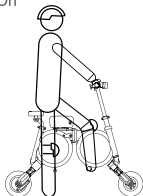


Figure 11

Long press the brake button, release it when slow down or stop.

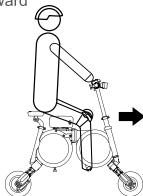
Learn To Steer

Get On



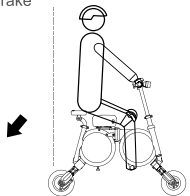
Turn the power on (see Figure 9) and step on the pedal one foot by one foot.

Forward



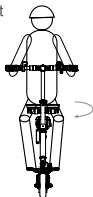
Right down to move the accelerator (see Figure 10).

Brake



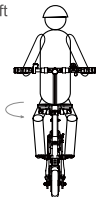
Long hold the break handle (see Figure 11).

Turn Right



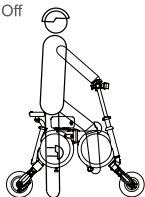
Turn the Scooter head to the right.

Turn Left



Turn the Scooter head to the left.

Get Off



Get off from the pedal one foot by one foot.

Learning Skill

Riding steps for beginners

1. Open power switch and hold E3 with hands.
2. One foot steps on the pedal and the other on the ground, keep eyes front. Right down to move the accelerator to accelerate.
3. When there is a need to decelerate or stop, press the electronic brake, hold it until it decelerates or stops.
4. When brake starts, the accelerator on the right handle automatically powers off.



- Avoid using this product in bad weather conditions (e.g., rain, snow, or ice).
- Please confirm whether the brake can be used normally when riders want to use it.

Safety

Please read notices carefully and follow riding requirements during the E3 ride.

Important Note:

Sharp acceleration, deceleration, sudden turning and over speeding via overly leaning forward or backward are strictly forbidden. It is not suggested ride when the App shows only one bar left, or the power switch keeps blinking. If in riding, please keep constantly slow speed. If there is a risk of falling, please protect personal safety first, regardless of E3. During the riding process or storage, wear and tear may affect its performance. Before you ride E3, please check the following matters:

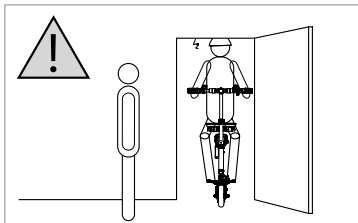
1. Rider needs to check whether the E3 is installed firmly, and is damaged or not.
2. Rider needs to check the brake function and tyres, and to check whether the handle, cushion and folding lock catch are fastened. If not, please tighten the screws.
3. Rider needs to check whether folding mechanism has been locked.
4. Rider needs to find an open space to practice, at least 4m*20m area, indoor and outdoor.
5. Rider needs to have a full understanding of the surrounding environment to avoid the interference from the vehicle, pedestrians, pets, bicycles and other obstacles.
6. Rider needs a skilled assistant at side. The assistant is proficient in riding E3 and familiar with the guidelines for the use of scooters in all matters needing attention and riding method.

Attention:

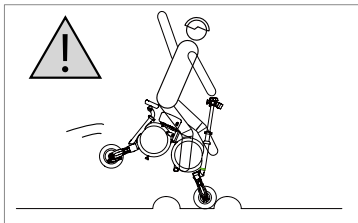
1. Do wear helmet, gloves, elbow/knee pads or other necessary protection gears, in case of accidents.
2. Do not ride on the bumpy and wet roads, such as earth road, cobbled road or snowing and watery roads.
3. Do not ride Airwheel on slopes of over 15° gradient.
4. Do not allow children under 15 or the aged above 60 to ride Airwheel.
5. Drunk or drug or those who are behavioral or reactivity confined riding Airwheel is prohibited.
6. Do not ride Airwheel in extremely cold winter.
7. Do not ride Airwheel in the rain.
8. Please slow down on the upper and lower slopes. Keep pressing on the braking button when riding downhill.
9. Do not ride Airwheel in other unadvised situations causing by either personal or objective reasons.
10. It is forbidden to sit on the battery box for riding.
11. In charging, connect battery charging interface first and then connect the power source.
12. When it is not in use for a long time, please store it after fully charged and shutdown. It should be charged no more than 3 months and then store it.

You need lots of practice to grasp the skill before you ride the E3 safely. If you are not skilled, or fail to follow the user guide of this product, it may cause rider or others injury or property loss. Our company only takes the responsibility for product defects or damage, and we are NOT responsible for physical injury or property loss related with using products.

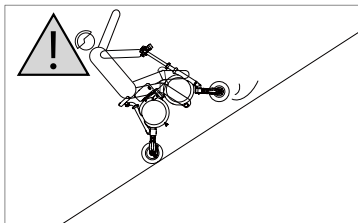
Don'ts



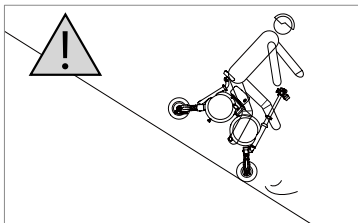
Entrance Height



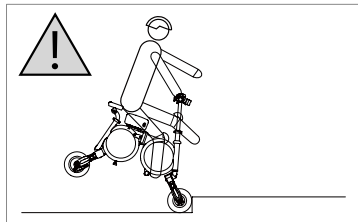
Bumpy Terrains



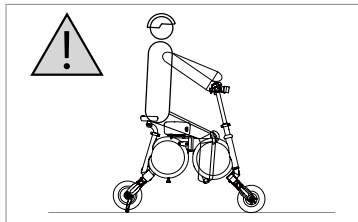
Slope Angle > 15°



Slope Angle > 15°

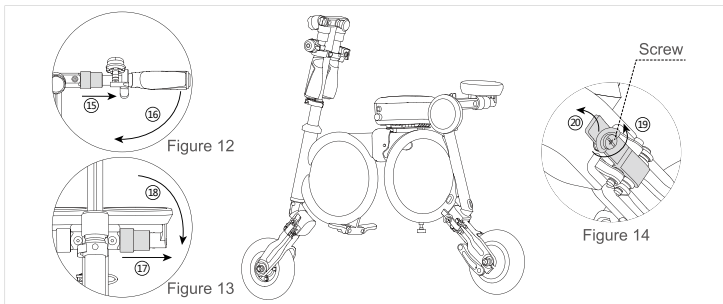


Staircases

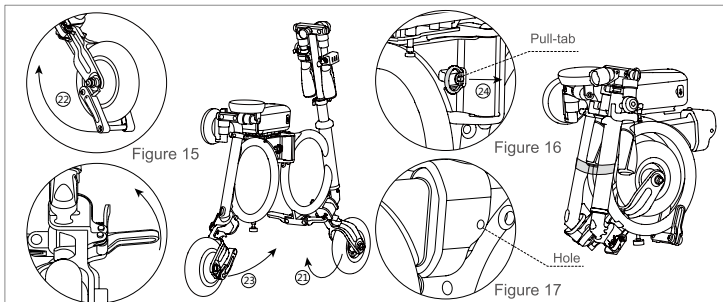


Do not remain on the standing board after shutdown.

Foldable



- 1 Pull down the bike's head, pull the handle lock catch gently (see Figure 12-15 arrow), fold the handle (see Figure 12-19 arrow) and release handle lock catch. Pull the saddle lock catch gently (see Figure 13-17 arrow), fold the saddle (see Figure 13-18 arrow) and release saddle lock catch. Hold the circular ring in the screw anticlockwise and rotate to loosen the folding handle (see Figure 14-19 arrow) and press the folding handle (see Figure 14-20 arrow) to loosen the front wheel.



- 2 Rotate the front wheel 180° (see 22 arrow), put it in the frame, tighten the screw clockwise and fold the arm-brace (see Figure 15-22 arrow). The same method to the rear wheel (see 23 arrow) and fold the pedals. Pull outward the pull-tab (see Figure 16-24 arrow) to let the frame folding pin loosen from the hole (Figure 17), fold frame, and tie up the magic strap to complete folding.

Download APP



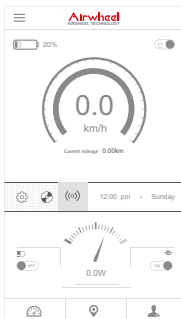
Scan QR code to download

*Support Android 4.3 or higher, iOS 7.0 or higher.

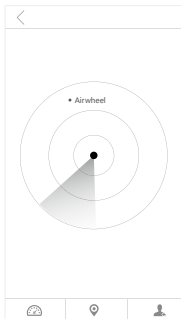
APP Instructions

1. Turn on E3 power button, and start App as well as Bluetooth.
2. Click the search button and do as the follows to connect (verify password is 11111111).
3. Refer to official website or give calls for details.

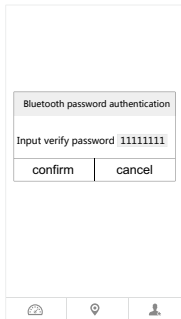
Version 1



Click App's wireless connection icon .

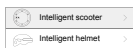


Search Airwheel nearby, click the searched Airwheel model to connect.




Input the verify password: 11111111 to connect.

Version 2



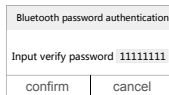
Click the Intelligent scooter in the App interface.



Click the search button or .



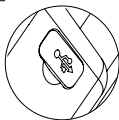
Search Airwheel nearby, click the searched Airwheel model to connect.



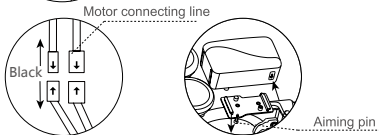
Input the verify password: 11111111 to connect.

Other Functional Instructions

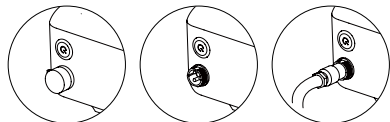
- **Charging port:**
chargeable (compatible with mainstream phones and electronics).



- **Dismountable battery box:**
Separate the battery box line with the frame line before dismantling the battery box (insert the battery box and then connect when installing battery box). Pull the elastic bin and move the battery box in the figure direction and then take out for charging.



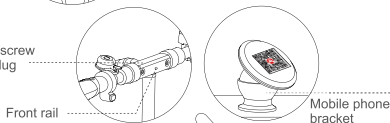
Pull down and rotate the self-locking pin 90° as the Figure shows. And move the battery box in parallel to take out the battery box to charge.



- **Uncover the dust cap of the charging mouth and then connect the charging plug to charge.**



- **Power indicator:**
when it is red,
riding is not suggested.



- **Mobile phone bracket:**
Unpin the white screw hole end cap on the rail, fasten the mobile phone bracket with the QR code clockwise, unpost the paster with Airwheel logo in the reverse of metal disc paste it on the phone and absorb the phone on the round base.

(Please do not put the phone in the bracket in case of falling off when ride in the bumpy roads.)



Metal disc